

# EPSON EB-Z8000WU



EPSON EB-Z8000WU

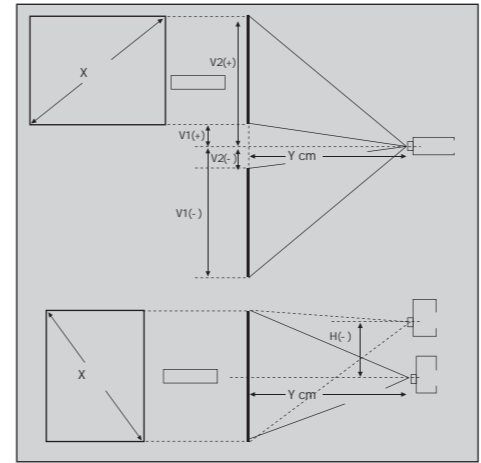
- WUXGA (1920x1200)
- 6000
- (5000:1)
- 

活的色彩



EV50X931AZ

3
1.8
AA x 2
( ) Ver.1.30
ELPLP51 (2 : ELPLP52)
ELPAF23
ELPMB25,ELPMB26
ELPST16
ELPLR04
ELPLW04
ELPLS04
1 ELPLM06
2 ELPLM07
ELPLL07



(16:10)

X	Y	V1 cm	V2 cm	H cm	
60"	221	361	-98-17	-17 98	-26-26
100"	374	607	-163 28	-28-163	-44 -44
120"	450	730	-196 34	-34-196	-53-53
150"	569	919	-245 43	-42.5-245	-66-66
200"	755	1222	-326 57	-57-326	-88-88
300"	1137	1837	-489 85	-85 -489	-131-131
500"	1900	3067	-815 142	-142-815	-219-219

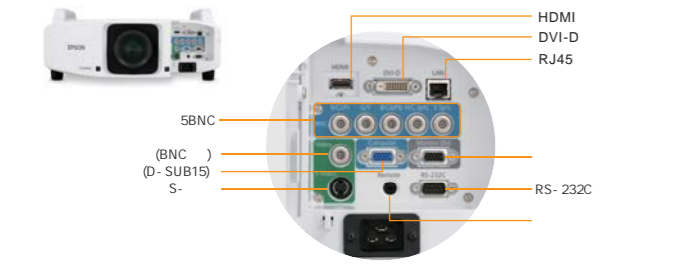
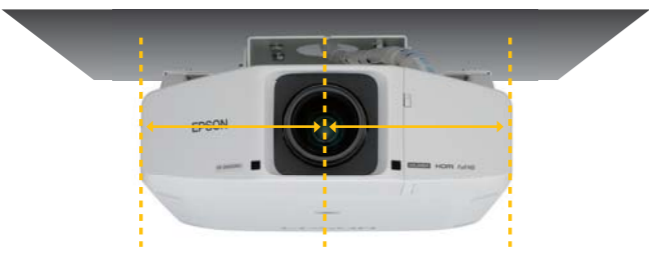
(16:10)

(100 )	Y )	
ELPLR04	165	-
ELPLW04	282	386
ELPLM06	576	881
ELPLM07	841	1284
ELPLL07	1251	1759

EPSON EB-Z8000WU	
RGB	3
LCD	0.94 (MLA) x 3
	2304000 (1920x1200)
	WUXGA
	16:10
	1.61
	F=1.65 - 2.51/f=36.00mm- 57.35mm
	6
	330 W UHE x 2
	2500 ( : ) 3500 ( : )
	100 3.74 - 6.07
	: -70% - +70%( ) ( ) : -20% - +20%( ) ( )
*2	( )
	6000 *3
	4800 *3
*2	6000 *3
*2	5000*1*3
	90% ( : ) / ( )
	(1677 )
	3D Y/C / (2-23-2 )
	-30 - +30 ( : ) -20 - +20 ( : )
	13.5MHz ~ 162MHz U/XGA 60Hz
	15 kHz ~ 80 kHz 50 Hz ~ 85 Hz
	13.5MHz ~ 162MHz U/XGA 60Hz
	15 kHz ~ 80 kHz 24Hz 30Hz 50Hz 60Hz
	1920 x 1200
RGB /	/ /
	D- sub 15pin x 1 ( ) 5- BNC x1
	/ /
	D- sub 15pin x 1 ( ) ( : 1, 5- BNC)
	: 560 TV- ( )
	NTSC / NTSC4.43 / PAL / M- PAL / N- PAL / PAL60 / SECAM
	/S- / RGB
	:1- BNC
	S- : Mini DIN
	: 5- BNC, Mini D- sub 15pin x 1 ( )
	: RGB-5- BNC, Mini D- sub 15pin x 1 ( )
	1920 x 1200 (WUXGA)
	Ver 1.3a
HDMI	1080p, PC U/XGA- 60 PC WUXGA- 60 RB
	480i / 576i / 480p / 576p / 720p / 1080i / 1080p
	TMDs (TMDs HDMI )
	HDMI x 1
	HDCP
DVI	1920 x 1200 (WUXGA)
	1080p, PC U/XGA- 60 PC WUXGA- 60 RB
	480i / 576i / 480p / 576p / 720p / 1080i / 1080p
	500 mVrms / 47 k-ohm
	D DVI x 1
	HDCP
/	/ /
	D- sub 9pin x 1
	RS- 232C
	/ /
	x 1
/	/ /
LAN	EPSON
	RJ45 x 1 100Mbps
	0°C - 45°C (32°F - 113°F) ( 20% - 80% )
	0°C - 40°C (32°F - 104°F) ( 1500 / 4921 : : ) ( 20% - 80% )
	0 - 3048 (0 - 10000 ) ( 1500 / 4921 : : )
	-10°C - 60°C (14°F - 140°F) ( 10% - 90% )
	0° (± 30°) 90° / 270° (± 10°)
	20 : 30
	∅
(220-240V )	( : )
	877 W / 734 W ( / / ) 13.1 W @ 5W ( / / )
	100 - 240 V AC 50/60 Hz 10.7 - 4.5 A
x x	534 x 734 x 167 mm ( )
	48.4 lbs. / 22 kg ( )
	38 dB / 32 dB ( / / )
	CCC (GB4943)
EMC	CCC (GB9254, GB 17625.1)

\*1  
\*2 ISO21118 80%  
\*3

( )  
89 7 100005  
www.epson.com.cn 400-810-9977  
010-82696006  
020-87511200  
4S www.epson.com.cn/4s



EPSON EB-Z8000WU  
LAN



( )

