

**Built-in 32.768kHz-DTCXO**  
**High Accuracy**  
**Real Time Clock Module**

## About EPSON TOYOCOM's Real Time Clock Module

A real time clock module is a crystal device incorporating into a single package a 32.768 kHz crystal unit and a real time clock IC.

### Real Time Clock Module

32.768 kHz crystal unit

+

Real Time Clock IC

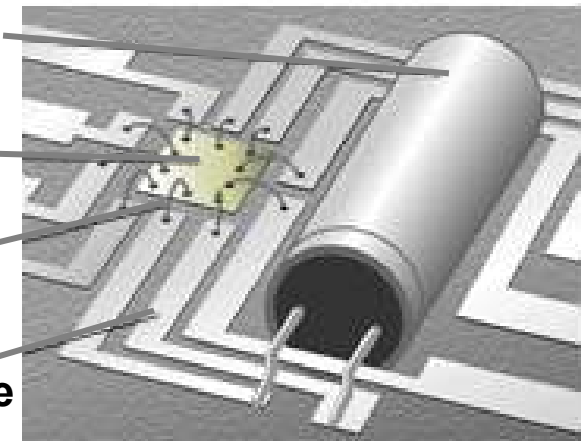
(Oscillation Circuit, Clock Function,  
Calendar Function, alarm Function etc.)

Crystal unit

IC chip

Wire -  
bonding

Lead - frame



Internal structure  
(image)

# RX-8025T (RX-4801 / 8801 series)

## ■ Clock / calendar

- sec. / min. / hour / day / week / month / year
- alarm / timer
- Output frequency : 32.768kHz / 1024Hz / 1Hz
- Built-in 32.768kHz DTCXO, High Stability

## ■ Interface

- RX-4801 : 4-wire serial interface
- RX-8801 : I<sup>2</sup>C-bus

## ■ Frequency stability

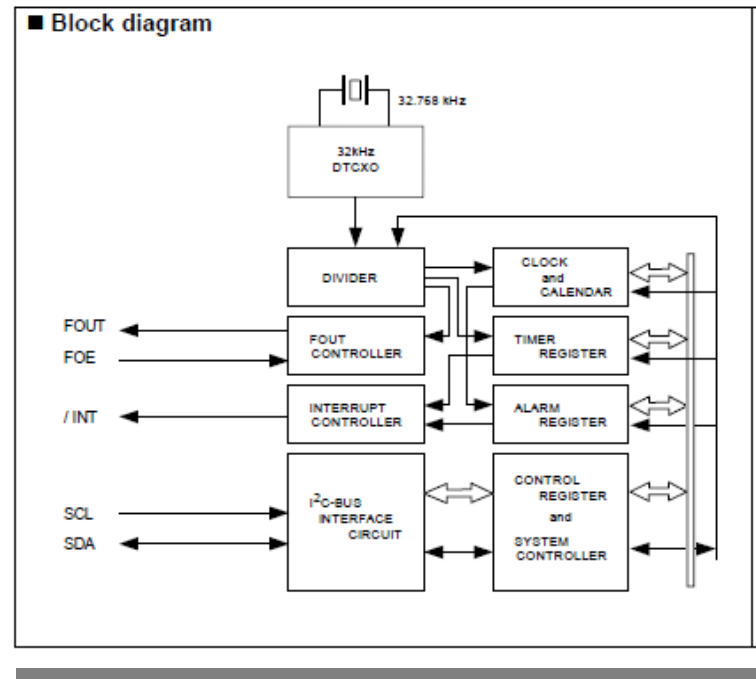
- UA. Ver : +/-1.9ppm / 0 to +40 deg. C  
(equivalent to 5 sec. of month deviation)
- +/-3.4ppm / -40 to +85 deg. C  
(equivalent to 9 sec. of month deviation)
- UB. Ver : +/-3.8ppm / 0 to +50 deg. C  
(equivalent to 10 sec. of month deviation)
- +/-5.0ppm / -40 to +85 deg. C  
(equivalent to 13.2 sec. of month deviation)

## ■ Low backup current

IDD 0.8uA Typ.3V

## ■ External dimensions

- SA : 10.1x7.4x3.3mm (SOP-14pin)
- JE : 7.3x6.0x1.5mm (VSOJ-20pin)

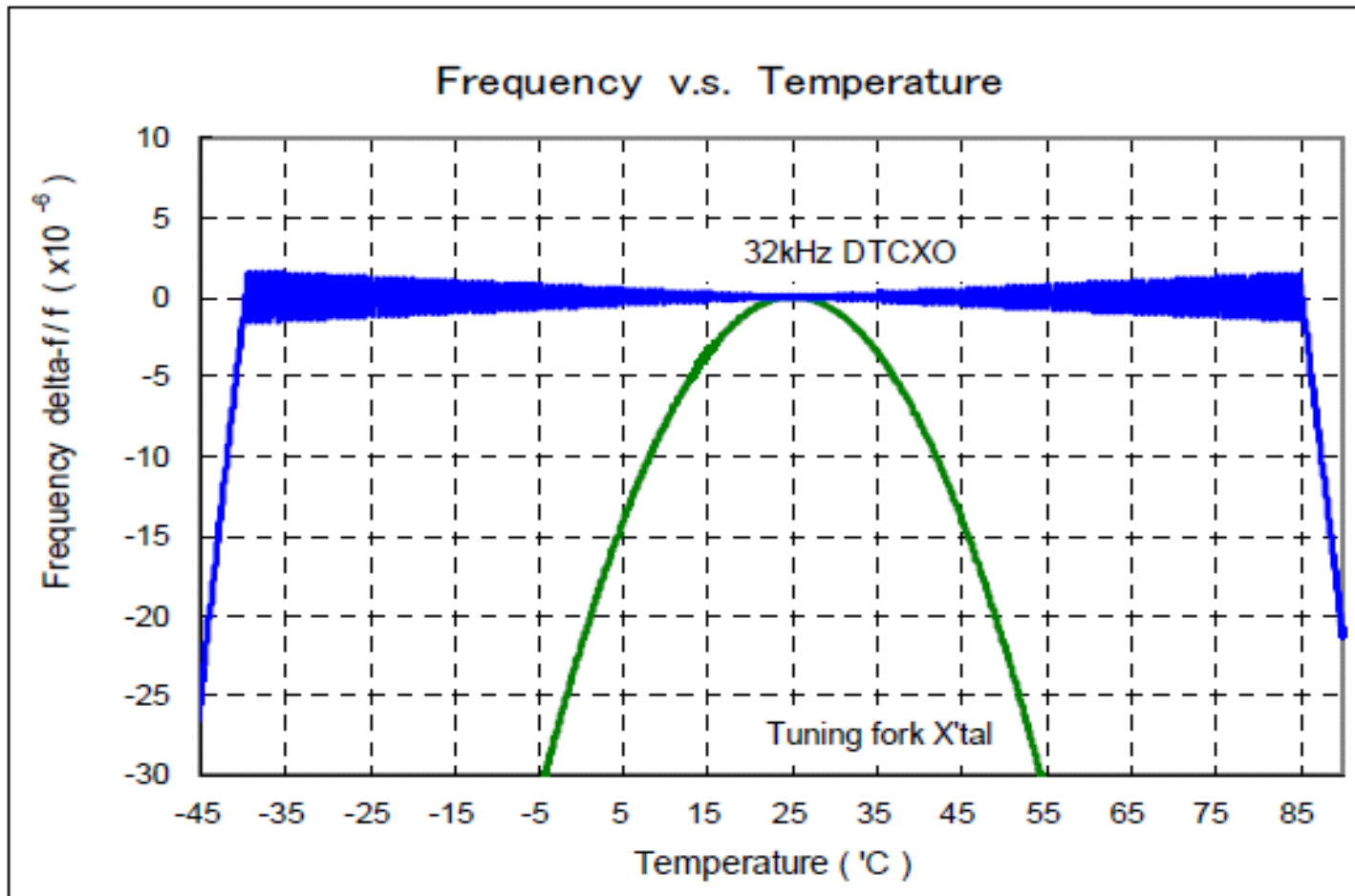


RX-xxxx SA



RX-xxxx JE

# *RX-8025T (RX-4801 / 8801 series)*



***32kHz-DTCXO***

***A frequency temperature  
Characteristic example***

***Preliminary***

**EPSON TOYOCOM**

**END**